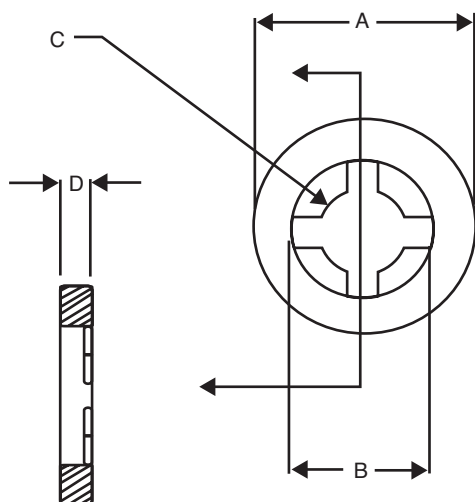


Date Last Revised: 02-19-07


A specially configured I.D. designed to grip the outside of the screw shank. The washer slides on the screw easily, but is retained on the screw. For use in applications requiring pre-assembly of the screw and washer, to reduce final assembly cost.

Part Number	Dimensions: in.				
	Description	A	B	C	D
561-04032	FWRT 4-032	0.266	0.156	0.102	0.032
561-04062	FWRT 4-062	0.266	0.156	0.102	0.062
561-06032	FWRT 6-032	0.328	0.198	0.128	0.032
561-06062	FWRT 6-062	0.328	0.198	0.128	0.062
561-08032	FWRT 8-032	0.391	0.235	0.152	0.032
561-10032	FWRT 10-032	0.453	0.277	0.177	0.032
561-10062	FWRT 10-062	0.453	0.277	0.177	0.062